

# EATING IN PUBLIC

[www.nomoola.com](http://www.nomoola.com)

## [ SHARE SEEDS ]

**TAKE** = Act without Shame

**LEAVE** = Share without Condition

**WHATEVAS** = Trust without Apology

Eating in Public was founded in 2003 in Hawai'i to develop fun and easy systems that encourage sustainability and mutuality. Everyone and anyone is free to participate. We do this to demonstrate that we can take care of each other while taking care of ourselves. Through participation in our projects, together we learn how to be commoners and work to reclaim the commons. The SHARE SEEDS project focuses on the sharing of seeds.

### WHY?

Seed-sharing is an ancient practice throughout the world. It is currently under threat by big industrial seed corporations (e.g. Monsanto). They want to patent seeds and prevent us from sharing them so we will always be forced to buy from them. Seed sharing is crucial to our freedom, autonomy from capitalism and crucial for our collective survival.

### CALL TO ACTION

We are encouraging prospective organizations and entities to implement SHARE SEEDS stations. Particularly locations with lots of traffic and used by people of diverse populations - e.g. community centers, libraries, churches, coffee shops, senior service centers, etc.

We build our stations entirely with scrap and repurposed material. They are launched with a stapler, rubber stamp/pad, pencils, a starter kit of recycled envelopes and approximately 50 seed packets. SHARE SEEDS are extremely low maintenance and self-explanatory.

### OTHER SUGGESTIONS

- hold gardening and seed-saving workshops
- suggest to gardeners to let some of their plants go to seed and share them
- help identify plants that bear lots of seeds (e.g. lettuce, arugula, basil, etc)
- be patient and trustful

and PLEASE send us photos!!

[info@nomoola.com](mailto:info@nomoola.com)

# EATING IN PUBLIC

[www.nomoola.com](http://www.nomoola.com)

## [ how we make our seed-sharing stations ]

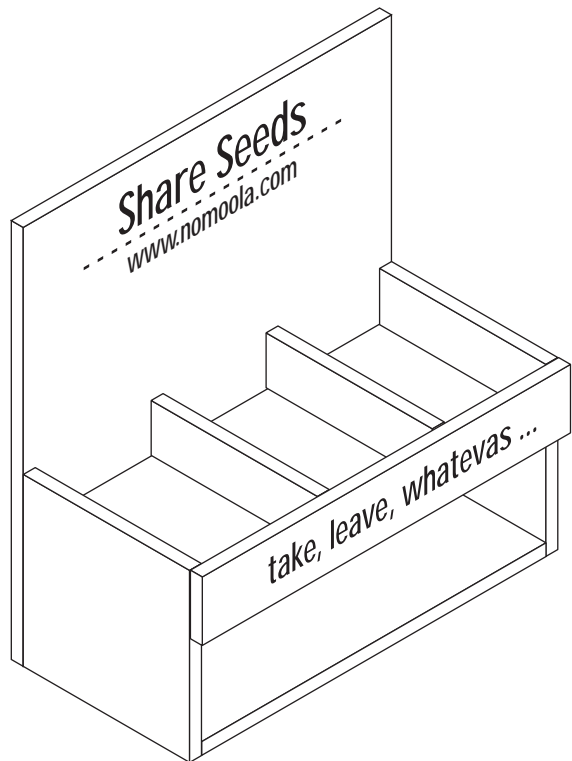
EATING IN PUBLIC has produced several models of Seed-Sharing stations:

- 1- Counter-Culture (for sitting on countertops)
- 2- Wallflower (for mounting on walls)
- 3- Standup (self-standing)

This booklet offers simple step-by-step instructions on how to build a Counter-Culture station followed by photos and building plans for all the above models.

Measurements are in inches, and assumes the usage of repurposed 1/2" thick wood or plywood. Modifications are needed if wood thickness changes.

Templates for signage (for handpainting or use to cut vinyl decal) and rubber stamp are downloadable at [nomoola.com/seeds/diy.html](http://nomoola.com/seeds/diy.html)



# EATING IN PUBLIC

[www.nomoola.com](http://www.nomoola.com)

To build a Counter-Culture station - for sitting on  
countertops of wall mounting - you will need:

hammer, penny nails, wood glue and 1/2" thick  
wood in the following sizes\*.

**BACK** - 1 piece / 15.5" (h) x 15.5" (w)

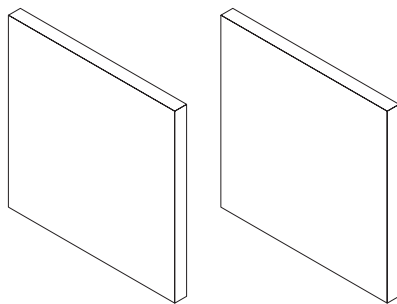
**SIDES** - 2 pieces / 7" (h) x 7" (w)

**BOTTOM+SHELF** - 2 pieces / 7" (w) x 14.5" (l)

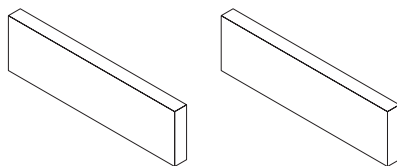
**PARTITIONS** - 2 pieces / 2" (h) x 7" (l)

**FRONT** - 1 piece / 2.5" (h) x 15.5" (l)

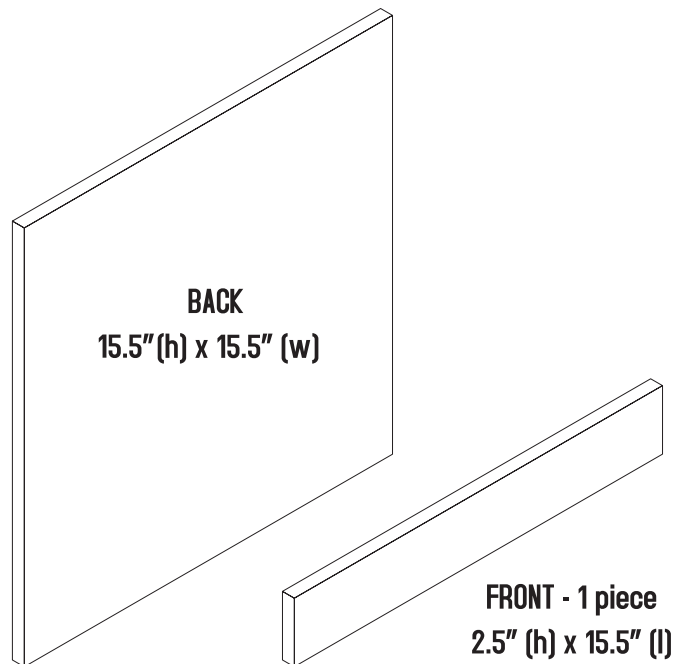
\*Measurements are in inches, and assumes the  
usage of repurposed 1/2" thick wood or plywood.  
Modifications are needed different thickness



**SIDES** - 2 pieces  
7" (x) x 7" (h)

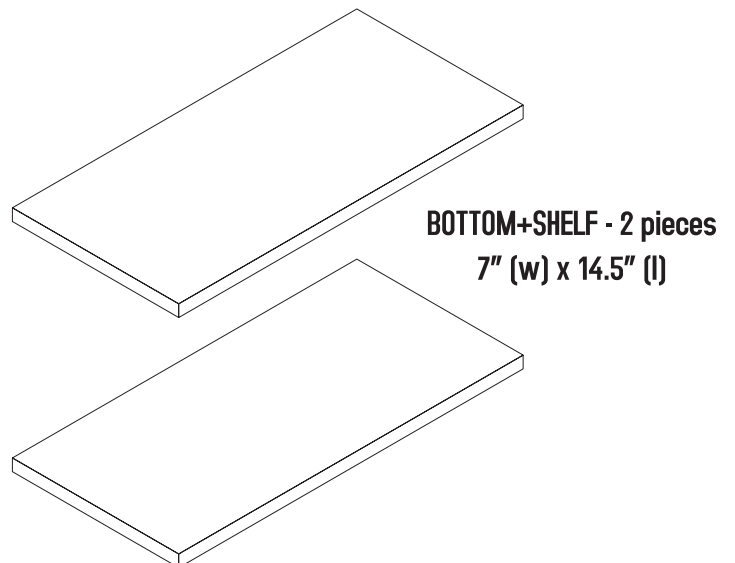


**PARTITIONS** - 2 pieces  
2" (h) x 7" (l)



**BACK**  
15.5" (h) x 15.5" (w)

**FRONT** - 1 piece  
2.5" (h) x 15.5" (l)

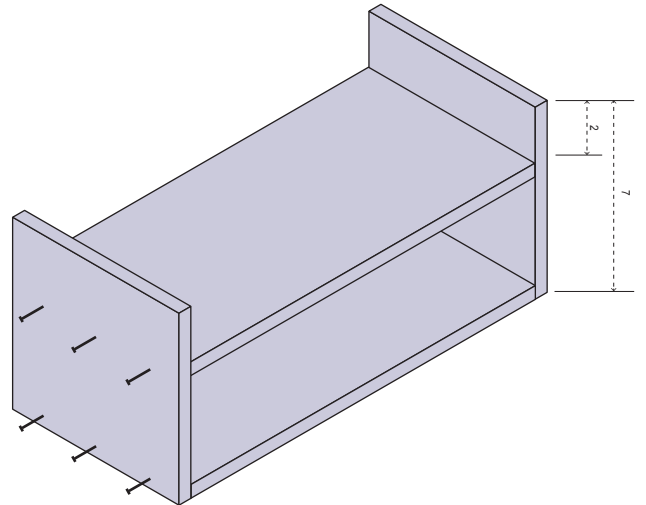


**BOTTOM+SHELF** - 2 pieces  
7" (w) x 14.5" (l)

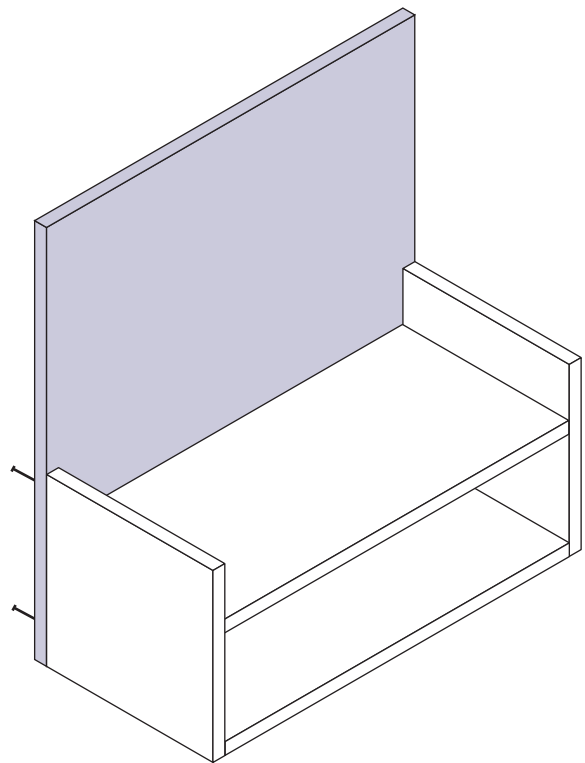
# EATING IN PUBLIC

[www.nomoola.com](http://www.nomoola.com)

**Step 1**  
glue and nail sides to shelf and bottom pieces



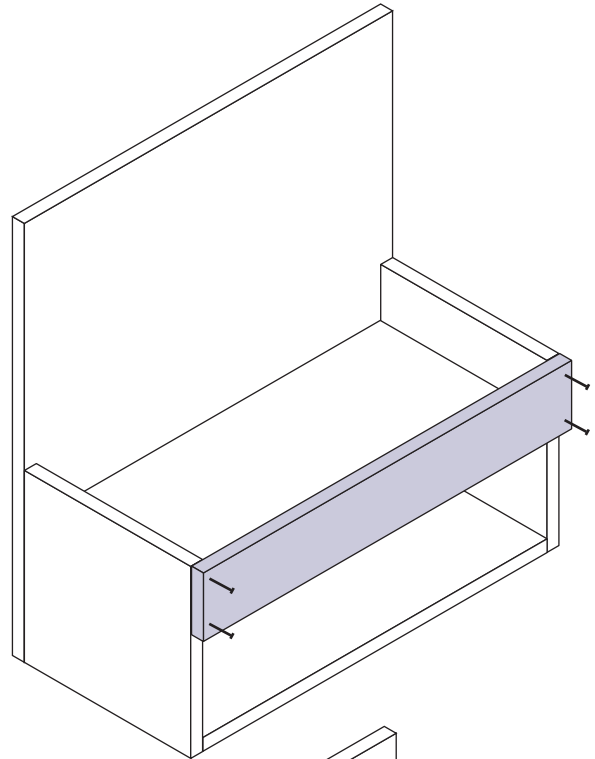
**Step 2**  
glue and nail back piece to shelf unit produced  
in Step 1



# EATING IN PUBLIC

[www.nomoola.com](http://www.nomoola.com)

**Step 3**  
glue and nail front piece to shelf unit produced  
in Step 2



**Step 4**  
insert, glue and nail partitions into top  
shelf, with 4.5" in between

**Step 5**  
drill 2 or 3 holes to hold pens and pencils

**Step 6**  
apply decals or paint signage

